



BRIEF INFORMATION

RotaLED Compact beacon

PRODUCT FEATURES

- Flashing or rotating light function
- Approved for ECE and SAE
- High warning effectiveness

The RotaLED Compact is the LED successor to the existing Rotafix, Rotaflex and Rota Compact halogen beacon series. These can be replaced 1:1. No moving parts are required for the LED functions – so no wear and maximum reliability. Since LEDs are maintenance-free, they do not cause any additional costs for spare parts or maintenance. Downtime is reduced to a minimum.



IP 67 – dust-tight, protected against temporary immersion in water



IP X9K – Resistant to high-pressure cleaners – Protection against water during high-pressure cleaning



Flashing or rotating light function



Flexible assembly – Flexible pipe socket i.a.w. DIN 14620, magnetic attachment, fixed attachment (130 mm) from below and SAE (150 mm) from above




Polarity reversal protection – fully protects electronics, even if connecting leads are swapped round











Flexible base protects from branch impact: The beacon bends and always returns to its original position

ROTALED COMPACT REPLACES THE FOLLOWING HALOGEN VERSIONS:

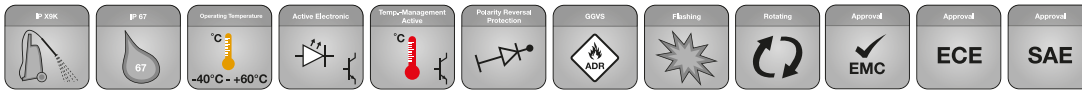
The new RotaLED Compact product family is the cost-effective successor generation to the widely distributed and popular halogen Rota families:

Product family	Types of attachment		
	KL Rotafix F	KL Rotaflex FL	KL Rotafix M
007 337 (Rotafix) 006 846 (Rotaflex)			
	KL Rota Compact F	KL Rota Compact FL	KL Rota Compact M
009 506			

RECOMMENDED ANCILLARY PRODUCTS

Product photo	Description	Part number
	Pipe socket adapter	8HG 223 805-011
	Support pipe to be welded on, straight, 100 long	1-pole 8HG 002 365-001 2-pole 8HG 006 294-101
	Support pipe with base to be bolted on, total height 126 mm	1-pole 8HG 006 294-011 2-pole On request
	Support pipe, angled, with base for bolting on the side, distance 90 mm, height 100 mm	1-pole 8HG 006 294-021 2-pole On request
	Support pipe, angled, with base for bolting on the side, distance 50 mm, height 100 mm	1-pole 8HG 006 294-111 2-pole On request
	Support pipe, pivoting, height approx. 105 mm	1-pole 8HG 006 294-031 2-pole 8HG 006 294-141
	Support pipe with screw attachment, height approx. 100 mm	1-pole 8HG 006 294-051 2-pole 8HG 006 294-091
	Support pipe with 2 screw holes for attaching to the back of the cab, with telescopic bracket, total height approx. 1,000 mm, can be displaced by up to 700 mm	1-pole 8HG 006 294-041 2-pole On request

TECHNICAL DETAILS



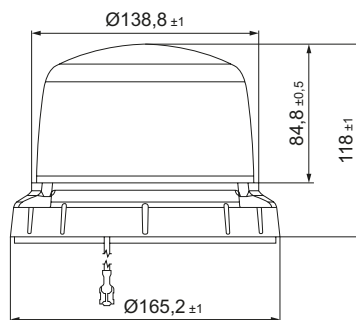
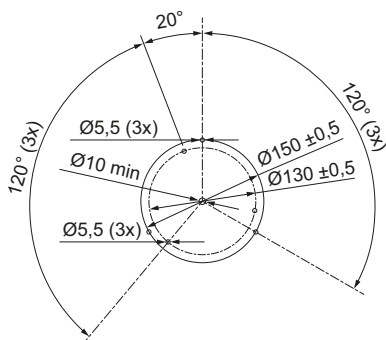
Technical data

	Flashing Light	Rotating Light
Rated voltage (U_N)	Multivolt	
Operating voltage (U_B)	10 – 30 V	
Total current consumption	ca. 0.8 A (12 V) ca. 0.4 A (24 V)	ca. 0.6 A (12 V) ca. 0.3 A (24 V)
Maximum power consumption	10 W	7 W
Dome	Polycarbonate	
Operating position	Upright	
Protection class RotaLED Compact F	IP 67, IP X9K	
Temperature range	-40 °C to +60 °C	
Polarity reversal protection	Yes	
Housing	Black, polycarbonate and ABS	
Interference suppression (CISPR 25), conducted	Class 5*	
Type approval	ECE-R65 TA 1 004636 ECE-R10 058156 SAE J845, class 2 GGVSE / ADR	ECE-R65 TA1 004837 ECE-R10 058523 SAE J845, class 2 GGVSE / ADR

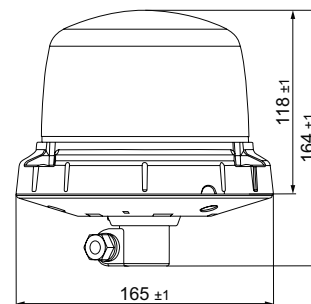
*150 - 300 kHz: Class 3

Dimensional sketch

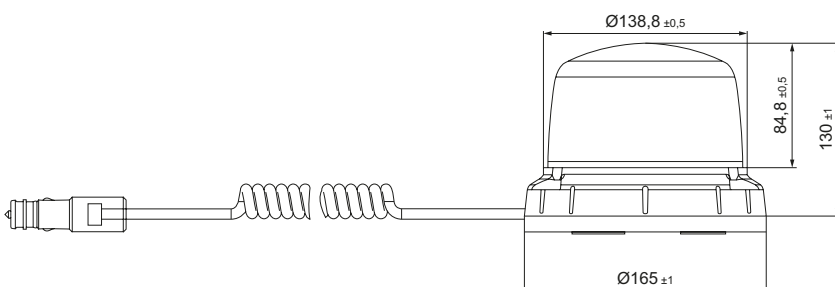
RotaLED Compact F



RotaLED Compact FL



RotaLED Compact M





The flexible version is mounted quickly and easily using a pipe socket. It absorbs heavy impacts, thereby reducing the risk of damage. The light is continually moved back to the optimal position.

RANGE OVERVIEW

Product Image	Target Groups	Part number	Description
		2XD 013 979-001 flashing 2RL 014 979-001 rotating	RotaLED Compact F, yellow
	 	2XD 013 979-011 flashing 2RL 014 979-011 rotating	RotaLED Compact FL, yellow
	 	2XD 013 979-021 flashing 2RL 014 979-021 rotating	RotaLED Compact M, yellow