



BRIEF INFORMATION

K-LED 1.2 Beacon

- Rotating or flashing LED light function
- Dual lighting system
- Large light exit area
- Low current consumption, high efficiency

PRODUCT FEATURES

The K-LED 1.2 is an innovative expansion to the K-LED family. It is available as a rotating or flashing variant. The dual lighting system in the K-LED 1.2 provides for a larger light exit area, making it especially effective at providing a warning function. And the K-LED 1.2 needs no moving parts – replacement of wearing parts is unnecessary. As a result, the beacon features a long service life. The shock-resistant dome made of polycarbonate guarantees particularly reliable protection against impacts (e.g. from branches). Wireless signals are not disrupted by the K-LED 1.2 as it has a high resistance to electromagnetic interference. Optimal adaptation of the K-LED 1.2 to its application areas is ensured by three DIN 14620 and SAE attachment options: Fixed mounting (Ø 130 mm and Ø 150 mm), pipe socket and magnetic attachment.



Operating voltage 10 – 30 V



IP 6K7: dust-tight and a brief immersion in water is also possible.



No malfunction caused by electromagnetic pulses



Approved according to ECE-R65



SAE approval

EXPANSION OF THE K-LED FAMILY

The individual functions of the beacon family can be derived from how they are named.



Thus the **K-LED 2.0** has

2 =

2 kinds of warning signals

You can change between rotating or flashing warning signals using either a switch or programming.

2 brightness levels

(ECE-R65 TA2 / SAE J845 Class 1)

Thanks to an integrated light sensor, switching between day and night mode happens automatically.

0 =

Simple lighting system



Thus the **K-LED 1.2** has

1 =

1 warning signal

It is available as a rotating or flashing variant.

1 brightness level

(ECE-R65 TA1 / SAE J845 Class 1)

2 =

The dual lighting system provides for a larger light exit area, making it especially effective at providing a warning function.

APPLICATION EXAMPLES



TECHNICAL DETAILS

Technical data

Rated voltage (U_N)	Multi-voltage
Operating voltage (U_O)	10–30 V
Total current consumption Rotating Flashing	Approx. 1.6 A (12 V), approx. 0.8 A (24 V) Approx. 1.8 A (12 V), approx. 0.9 A (24 V)
Maximum power consumption Rotating Flashing	Approx. 20 W Approx. 22 W
Dome	Polycarbonate
Operating position	Upright
Temperature range	-40 °C to +60 °C
Polarity reversal protection	Yes
Protection class	IP 6K7, IP 6K9K
Interference suppression	Tested according to CISPR 25

Type approval

Interference suppression (CISPR25)	Power-controlled class 5
Approval	GGVSE / ADR
SAE	SAE J845 class 1

Rotating light function:

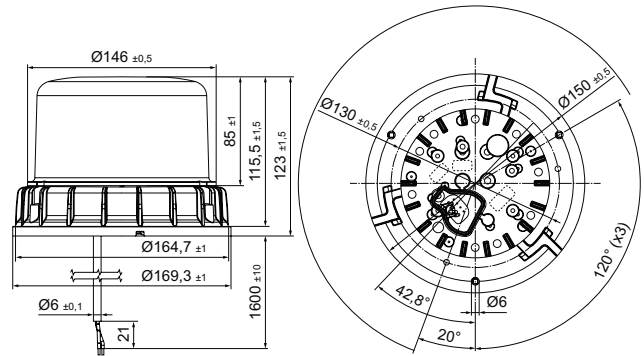
Lighting technology homologation, amber	TA1		R10 0057963 R65 004439
Lighting technology homologation, blue	TB1		R10 0057963 R65 004440
Lighting technology homologation, red	TR1		R10 0057963 R65 004441

Flashing light function:

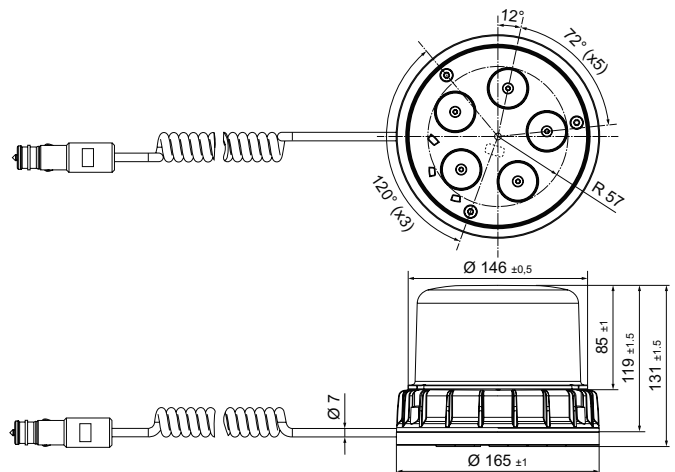
Lighting technology homologation, amber	TA1		R10 0057962 R65 004442
Lighting technology homologation, blue	TB1		R10 0057962 R65 004443
Lighting technology homologation, red	TR1		R10 0057962 R65 004444

Dimensioned sketches

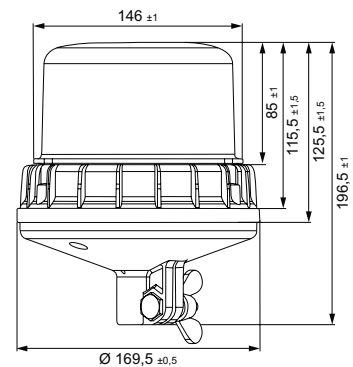
K-LED 1.2 F



K-LED 1.2 M






K-LED 1.2 R











OVERVIEW OF RANGE



Product Picture	Article number, rotating	Article number, flashing	Description
	2RL 012 983-301	2XD 012 984-301	Fixed attachment, amber
	2RL 012 983-401	2XD 012 984-401	Pipe socket mounting, yellow
	On request	On request	Magnetic attachment, amber

Red and blue available on request.

RECOMMENDED ANCILLARY PRODUCTS

Product photo	Description	Article number
	Pipe socket adapter	8HG 223 805-001
	Support pipe to be welded on, straight, 100 mm long	1-pin 8HG 002 365-001 2-pin 8HG 006 294-101
	Support pipe with base to be bolted on, total height 126 mm	1-pin 8HG 006 294-011 2-pin available on request
	Support pipe, angled, with base for bolting on the side, distance 90 mm, height 100 mm	1-pin 8HG 006 294-021 2-pin available on request
	Support pipe, angled, with base for bolting on the side, distance 50 mm, height 100 mm	1-pin 8HG 006 294-111 2-pin available on request
	Support pipe, pivoting, height approx. 105 mm	1-pin 8HG 006 294-031 2-pin 8HG 006 294-141
	Support pipe with screw attachment, height approx. 100 mm	1-pin 8HG 006 294-051 2-pin 8HG 006 294-091
	Support pipe with 2 screw holes for attaching to the back of the cab, with telescopic bracket, total height approx. 1000 mm, can be displaced by up to 700 mm	1-pin 8HG 006 294-041 2-pin available on request