



BRIEF INFORMATION

Oval 100 LED Thermo Pro

- Modern design
- Innovative corrosion resistant plastic housing – Thermo Pro
- Modular concept enables an easy light upgrade from Halogen to LED

PRODUCT FEATURES

The Oval 100 LED Thermo Pro is the newest version of the already big Oval 100 worklight family. This worklight has an innovative thermally conductive plastic housing, which is totally corrosion resistant and additionally offers many new mounting possibilities. Besides the standard bracket, this new worklight is available with a bottom swivel and a side-mounting swivel mounting bracket version. The plastic housing has cooling fins on the back to ensure sufficient heat dissipation from the 8 high-power LEDs.

Thanks to its powerful light output of 1,700 lumens, the Oval 100 LED can replace old halogen worklights, despite consuming just 25 watts of power. The light beams are spread by a specially developed multi-faceted reflector, to ensure a homogeneous illumination in the close-range area. The Oval 100 LED can be installed upright (0°), pendant (180°) and in the side-mounted version also in a 90° angle. At 6,500 kelvin, the light from the LED worklight is very similar to daylight. This helps to distinguish colors more easily in the dark, and thus facilitate the human eye's sensory perception task.

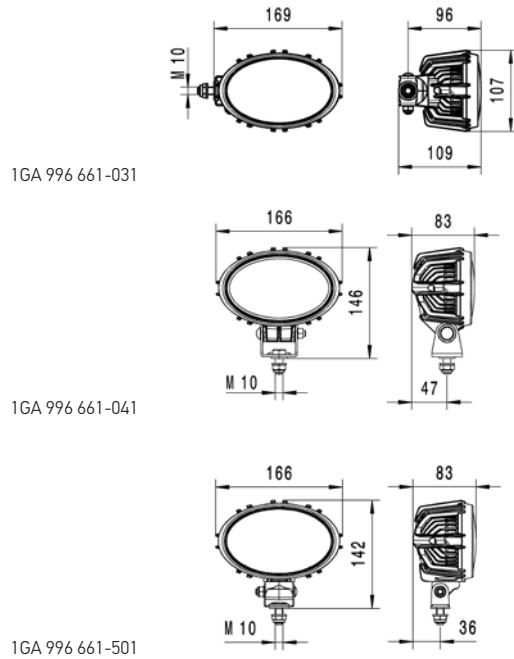
The plastic housing is hermetically sealed and therefore tight against splash water and high pressure cleaning. (IP 6K9K, IP 6K8) The light can be operated at both 12 V and 24 V. The integrated electronics protect the device in the event of a polarity reversal and guarantee constant brightness, even when operating with voltage fluctuations between 9 and 33 volts. In addition, a sensor protects the worklight from overheating which is essential to ensure that the LEDs last for their entire design life. These safety features ensure a constant and reliable light performance for work deep into the night.

TECHNICAL INFORMATION

Technical Data

Operating voltage / Rated voltage	9 – 33 V
Power consumption	25 W
Light output	1,700 Lumen
Light source	8 High-Power LEDs
Color temperature	6,500° Kelvin
Housing material	Thermally conductive plastic
Mounting	Pendant, suspended and side mounting
Connection	DEUTSCH plug
Protection	Overheating and polarity protection
Protection class	IP 6K9K, IP 6K8
Type approval	E1, ECE-R10, RCM
Weight	660 g
Country of origin	Austria

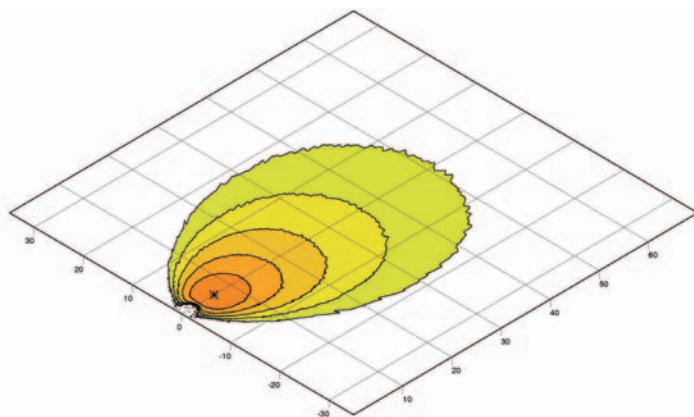
Dimensional sketch



RANGE OVERVIEW

1GA 996 661-...	-031	-041	-501
Close-range illumination	X	X	X
Upright mounting	-	X	X
Suspended mounting	-	X	X
Side mounting	X	-	-
Swivel base	X	-	X

LIGHT DISTRIBUTION



Close-range illumination

lux \geq 0 1 2 4 8 16