



BRIEF INFORMATION

Ultra Beam LED

- The classic worklight with LED technology
- Powerful light output
- For versatile use

PRODUCT FEATURES

An LED variant has been added to the globally best-selling Ultra Beam range of worklights. The Ultra Beam LED offers high light output in a practical design, meaning that it can be used anywhere thanks to its compact dimensions.

The light output is a powerful 2,200 lumens. The light is distributed by a specially developed multi-faceted reflector, thus ensuring homogeneous illumination. Thanks to different lenses, this worklight can be used for close as well as long-range illumination. And because of its powerful light output, the Ultra Beam LED can replace xenon worklights – despite only having a power consumption of 30 watts.

This makes this worklight ideal for use on battery-powered vehicles or on vehicles where the alternator is already under a heavy load. The integrated electronics protect the device in the event of polarity inversion and guarantee constant brightness, even when the operating voltage fluctuates between 9 and 33 volts. This ensures that the worklight stays functional and guarantees safe working at night.

With a colour temperature of 6,500° Kelvin, the light from the LED worklight is very similar to daylight. This helps to distinguish colours more easily in the dark, and makes sensory perception through the human eyes much easier. This in turn prevents the eyes from tiring quickly when working at night.

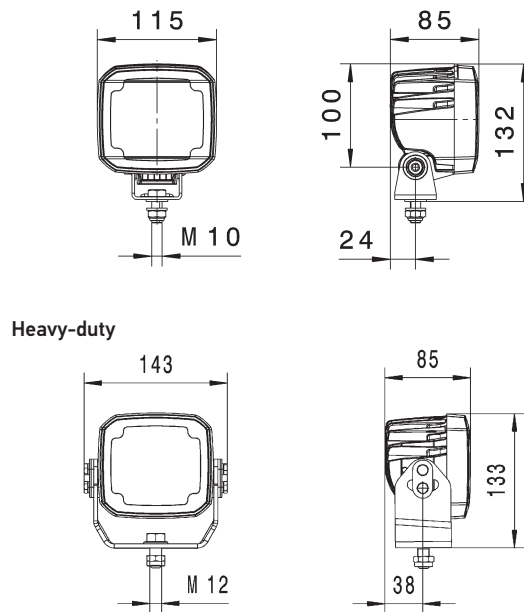
The worklight's black housing is made of aluminium and incorporates cooling fins. These ensure sufficient heat dissipation from the 9 high-power LEDs. Additionally, a temperature sensor protects the worklight from overheating. This is the only way the long service life of the LEDs (up to 30 times longer than a xenon gas-discharge lamp) can be exploited.

TECHNICAL DETAILS

Technical Data

Operating voltage/ Rated voltage	9–33 V
Recommended angle of inclination	Close-range: 12°, long: 5°
Light source type	9 high-power LEDs
Power consumption	30 W
Light output	2,200 lm
Colour temperature	6,500° Kelvin
Protection class	IP 6K9K and IP 6K8
Type approval	ⓔ, ECE-R10
Housing	Aluminium die cast
Light exit area	105 x 95 mm
Weight	1,040 g / 1,220 g (HD)

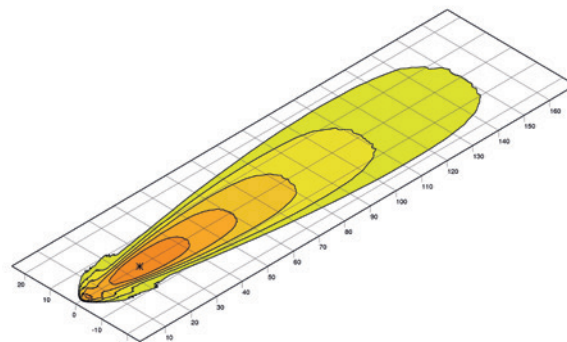
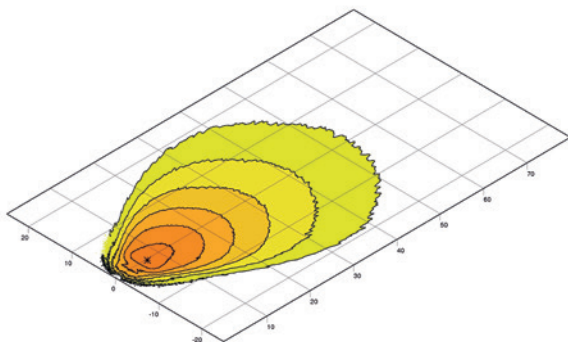
Dimensional sketch



RANGE OVERVIEW

1GA 995 506-...	-001	-011	-031	-081
Close-range illumination	X	X	-	X
Long-range illumination	-	-	X	-
Upright mounting	X	-	X	X
Suspended mounting	-	X	X	X
Bracket width	42 mm	42 mm	42 mm	-
Heavy-duty bracket	-	-	-	X
DEUTSCH plug	X	X	X	X
Nylon lens	X	X	X	X
Protected against overheating	X	X	X	X
Polarity reversal protection	X	X	X	X

LIGHT DISTRIBUTION



Close-range illumination

Long-range illumination

